

# Cabinet Assembly Instructions

**Reptile One®**

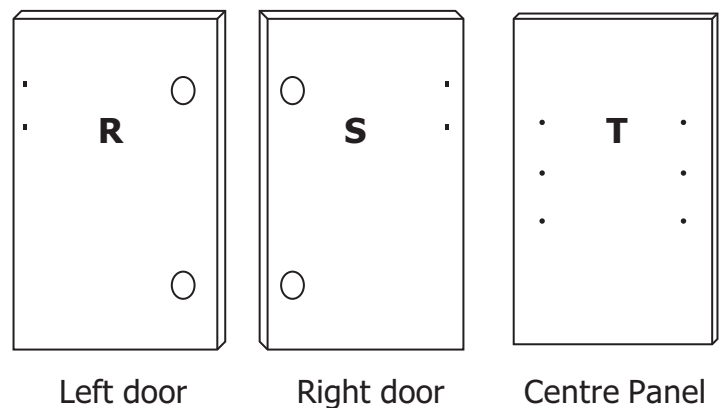
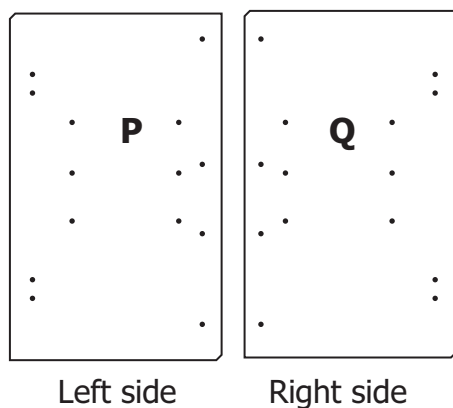
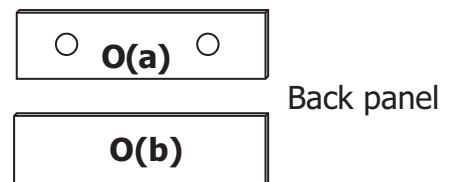
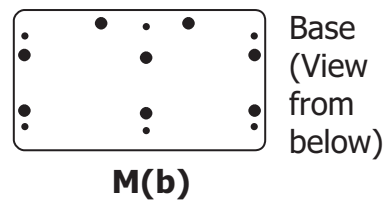
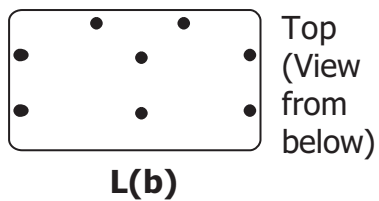
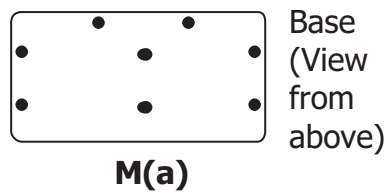
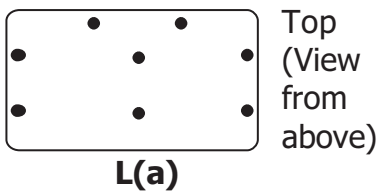
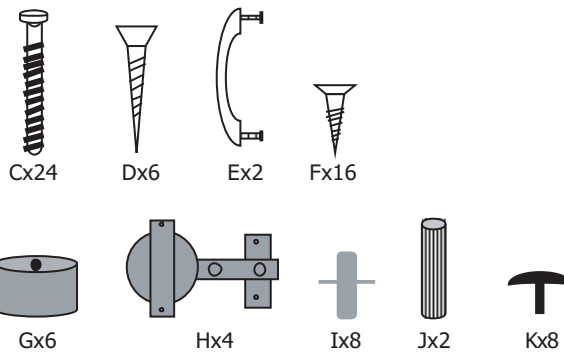
## Saburra/ReptEVO/Reptarium



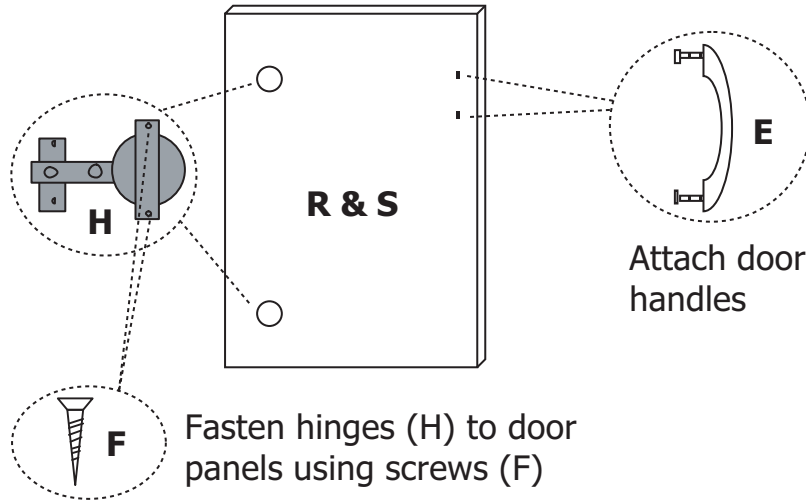
**Tools required:**



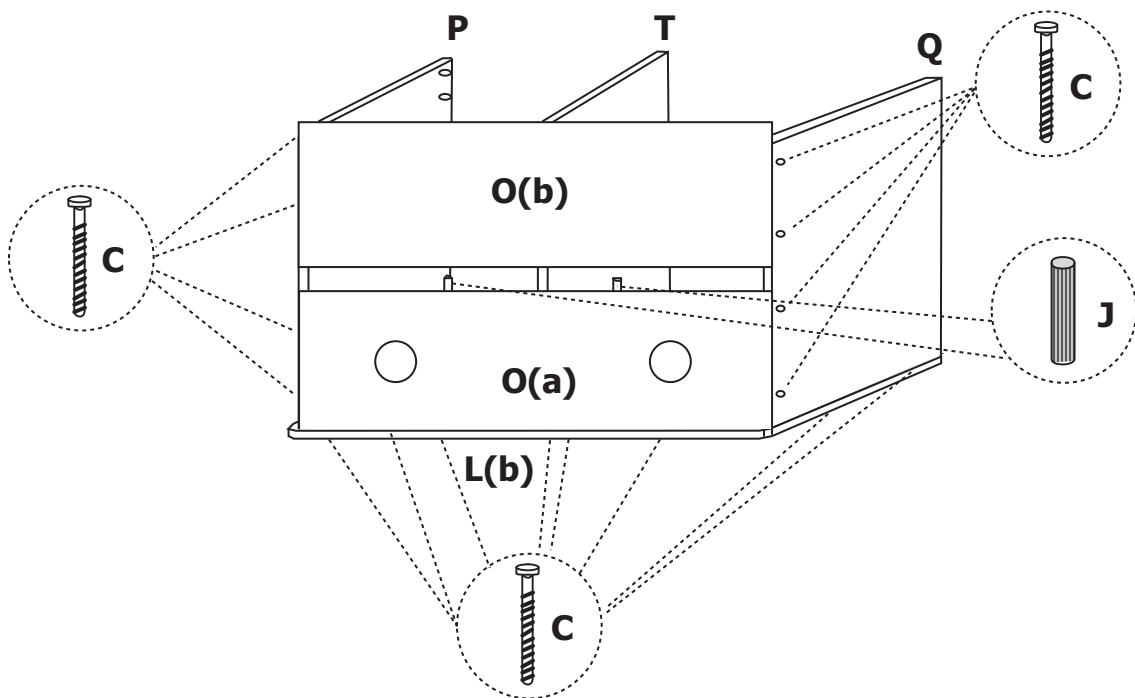
**Parts Required  
Contents:**



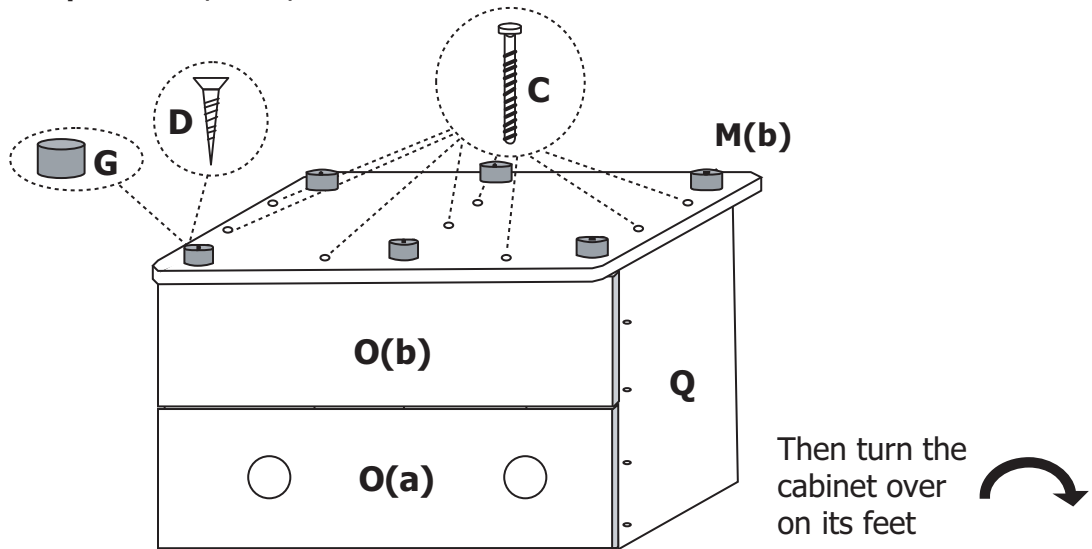
**Step 1: Install the door hinges and handles.**  
Use panels R, S. Use parts H x 4, F x 8, E x 2.



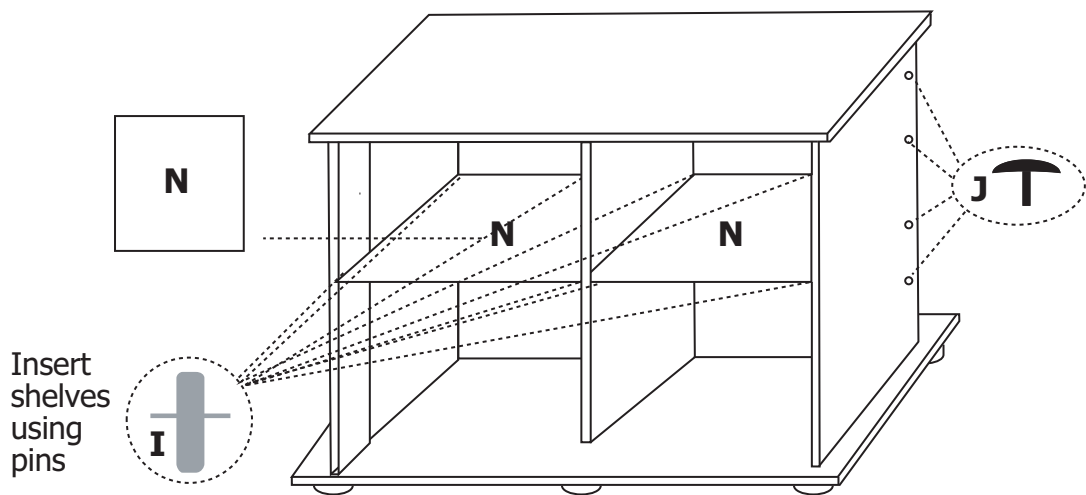
**Step 2: Install the side, centre and back panels to the top panel.**  
Use panels L, P, T, Q, O (b), O (a). Use parts C x 16, J x 2.



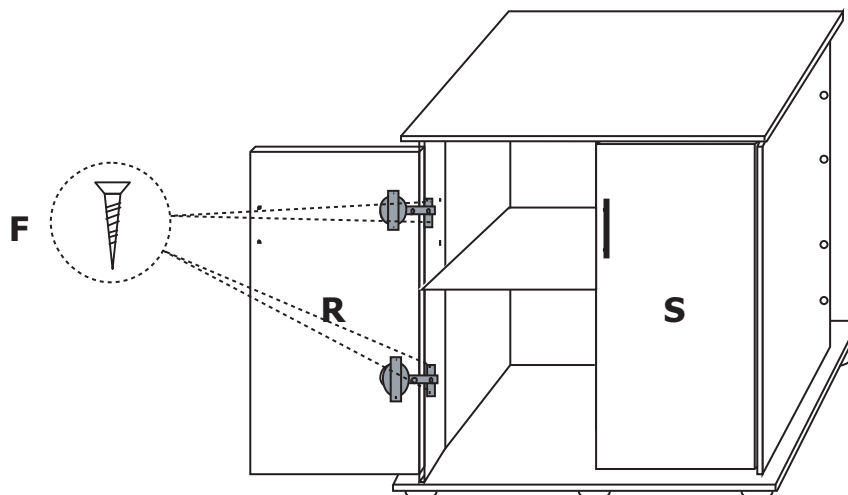
**Step 3: Attach base and install feet.**  
Use panel M(b). Use parts C x 8, G x 6, D x 6.



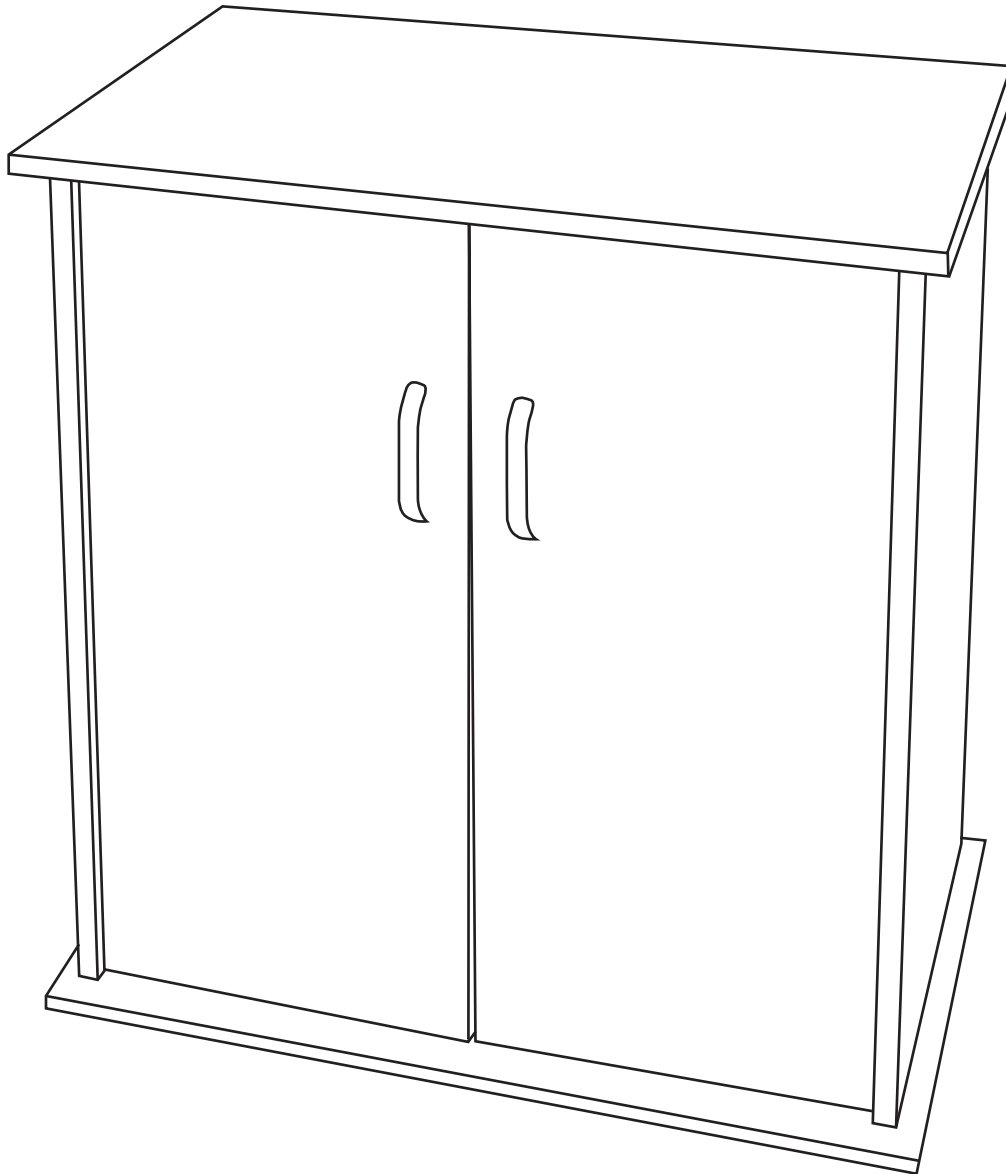
**Step 4: Install the shelves and screw caps.**  
Use panels N x 2. Use parts I x 8, J x 8.



**Step 5: Attach doors R & S to cabinet using screws F into the predrilled holes.**  
Use parts F x 8.



**Your cabinet is now complete.**



### **Important Notice**

It is absolutely imperative that you ensure this cabinet is installed upon level flooring. It is also a prerequisite that you ensure the flooring upon which it is positioned is able to support the weight of a terrarium which could be up to **400kg** including substrate, rocks and decorations.

Installation upon uneven flooring will result in poor distribution of weight. Damages to the terrarium, cabinet or equipment and damages caused by leaks due to improper or uneven installation are not covered by the guarantee with this product.

Manufactured in China  
Designed in Australia by Reptile One  
Distributed in Australia by:  
**Kong's (Aust.) Pty. Limited**  
48 Williamson Rd. Ingleburn  
2565 NSW Australia

Distributed in New Zealand by:  
**Kong's (NZ) Limited**  
52 Glenlyon Avenue. Greerton  
Tauranga New Zealand

Distributed in Hong Kong by:  
**Kong's Aquarium Supplies Co., Ltd**  
No 31, 3/F Thriving Industrial Centre  
26-38 Sha Tsui Road, Tsuen Wan  
Hong Kong

Distributed in the UK by:  
**Kong's (UK) Limited,**  
C/O Aqua Pacific UK Ltd  
PO Box 268  
Romsey Hampshire  
SO51 0WW  
United Kingdom

® Reptile One and Kong's are registered trademarks.

**Reptile One®**

[www.reptileone.com.au](http://www.reptileone.com.au)

**K'S**  
**KONG'S**

