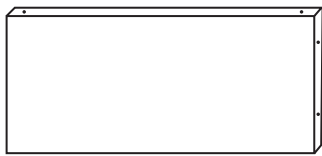
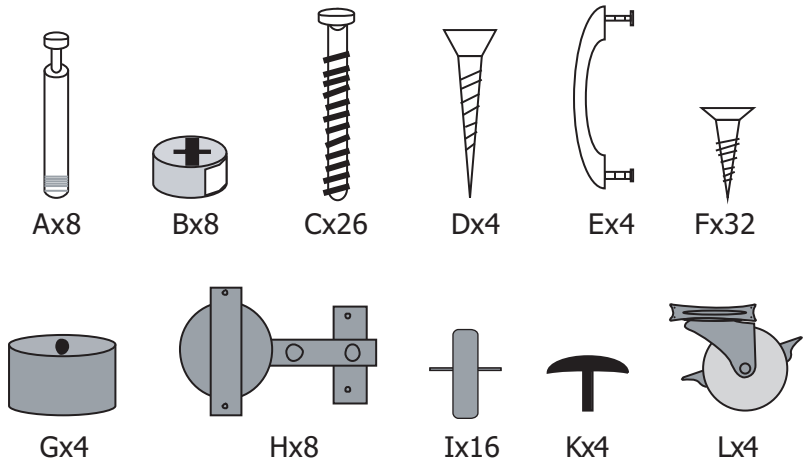


Assembly Instructions

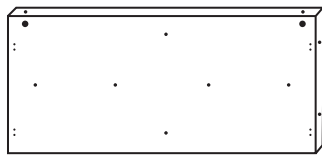
Serpens 200



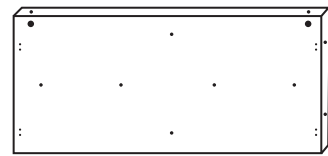
Contents:



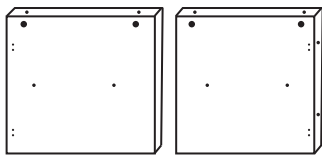
M



N

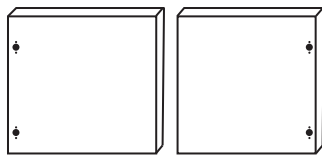


O



P

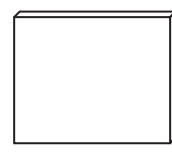
Q



R

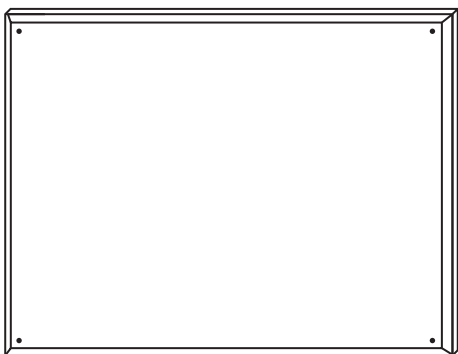
S

doors x 2 sets



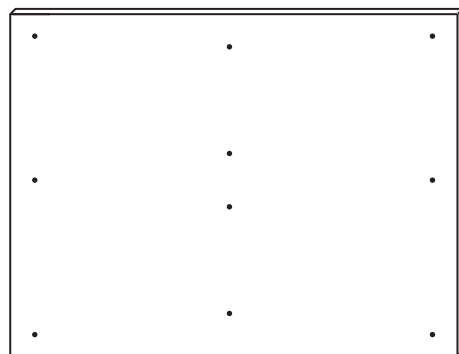
shelves

T x 4



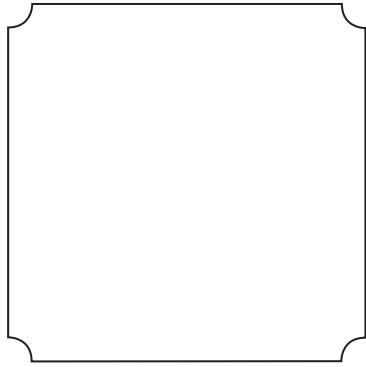
U

Top panel of cabinet

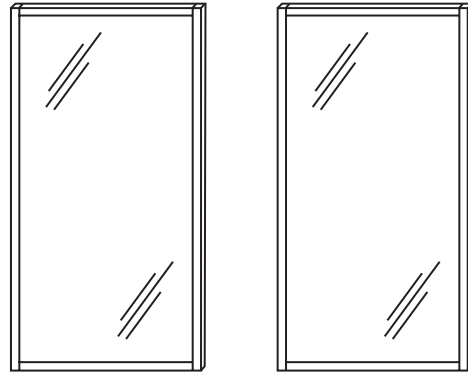


V

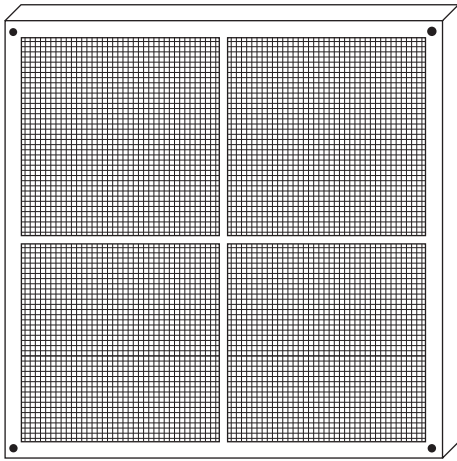
Base of cabinet



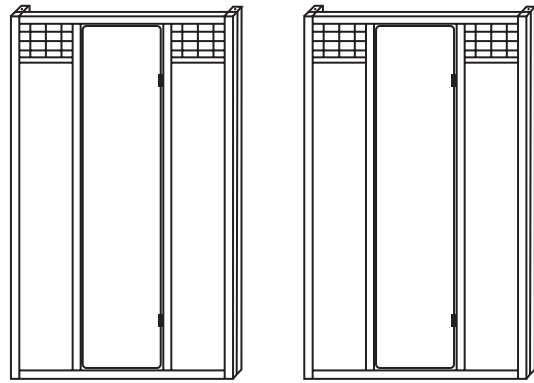
W



Y

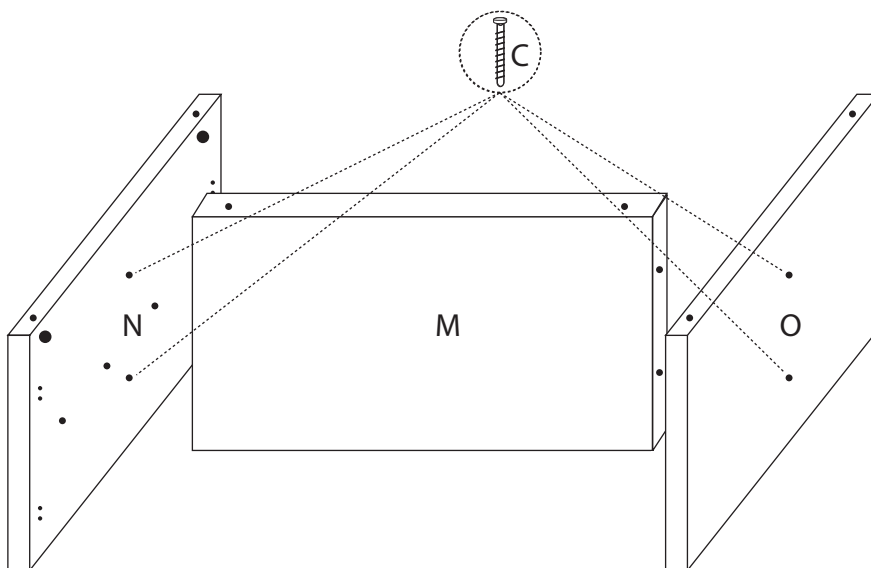


X

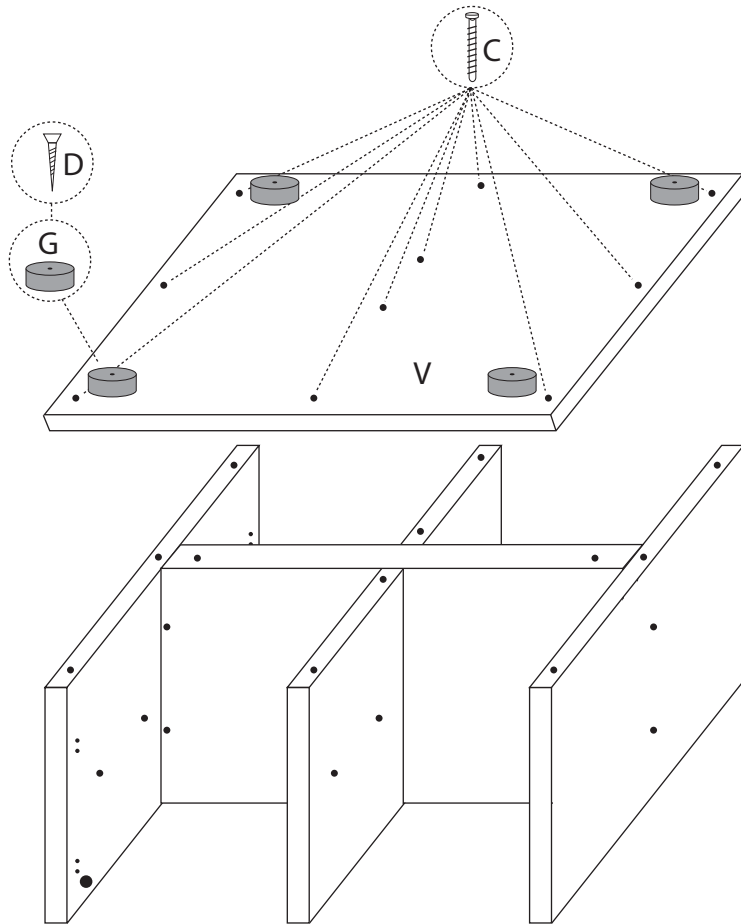


Z

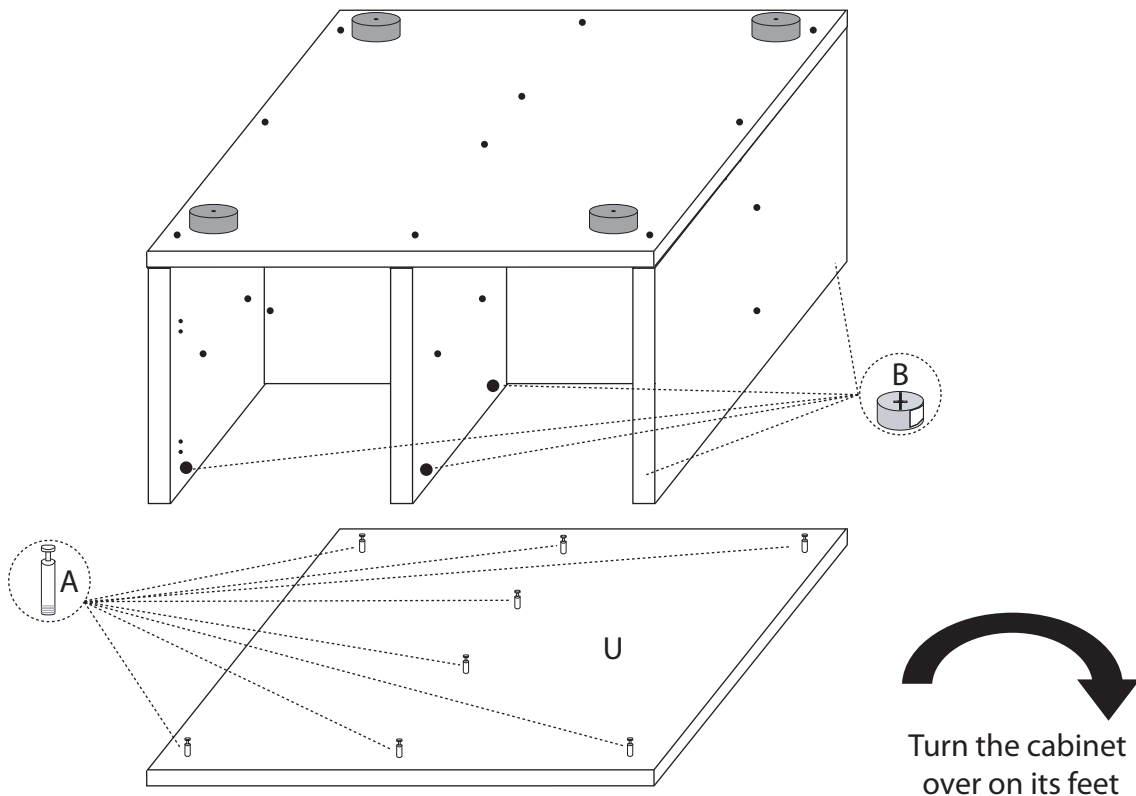
Step 1: Attach the side panels to the centre support.
Use panels M, N, O. Use part C x 4.



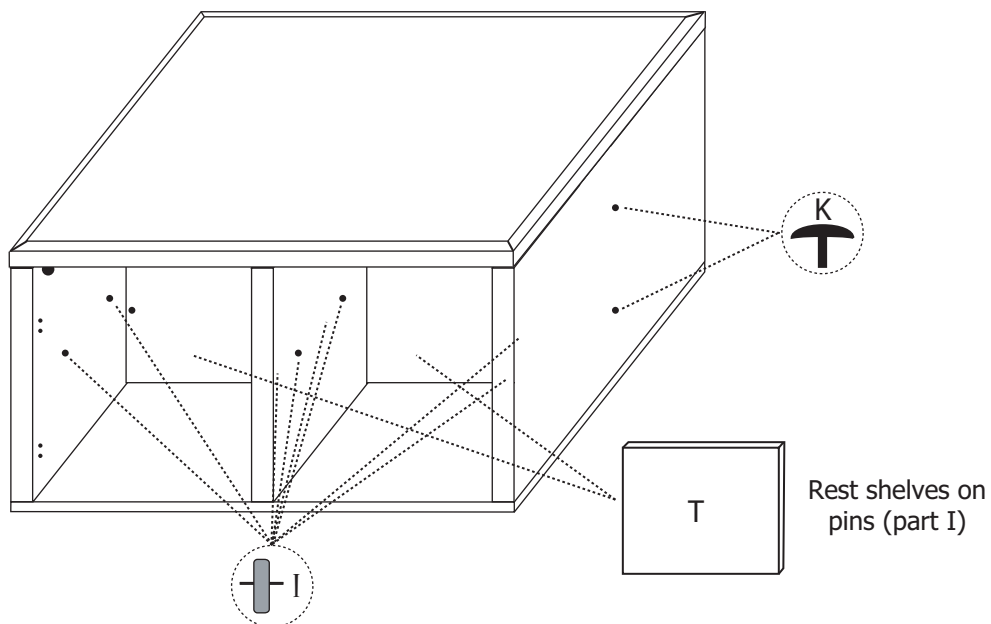
Step 2: Join the base panel to the upright panels. Attach feet (or castors) to base panel.
Use panels M, N, O, P, Q, V. Use parts C x 10, D x 4, G x 4.



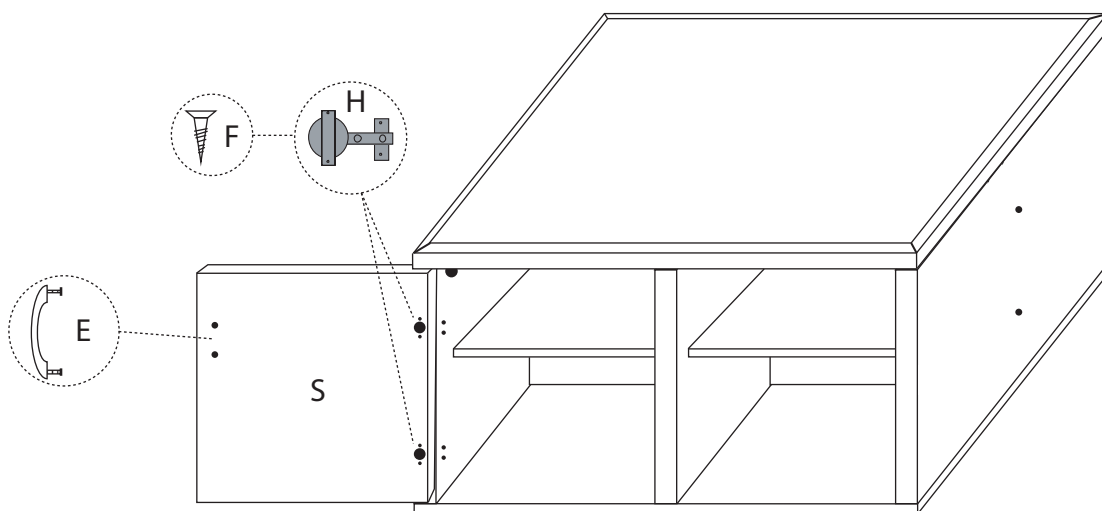
Step 3: Attach the top panel.
Use panels M, N, O, P, Q, U, V. Use parts A x 8, B x 8.



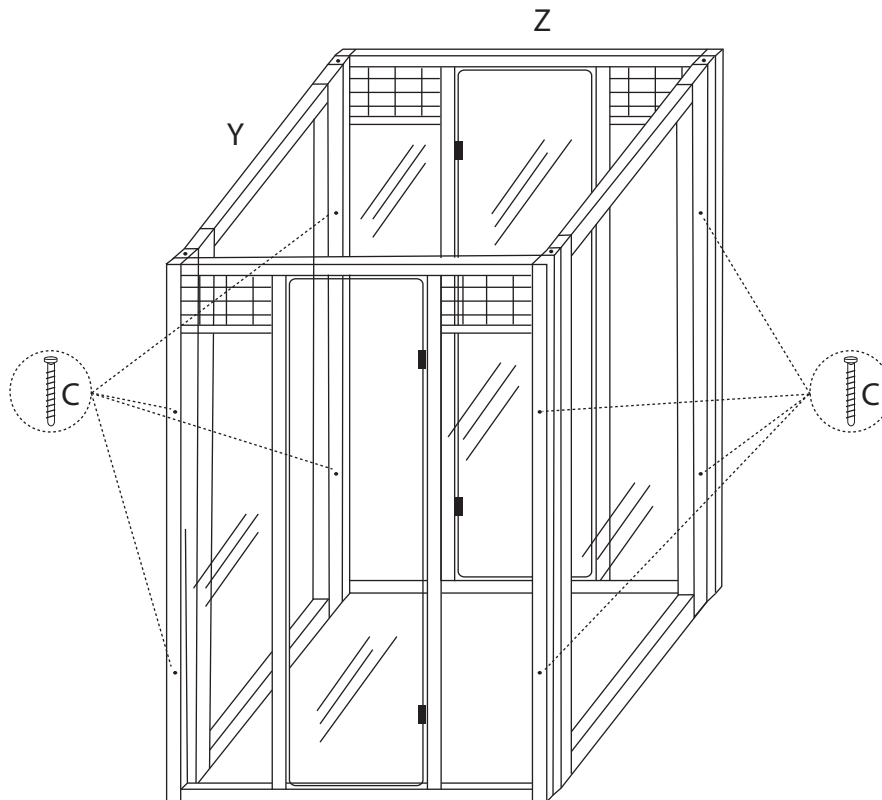
Step 4: Install shelves and screw caps.
Use panels T x 4. Use parts I x 16, K x 4.



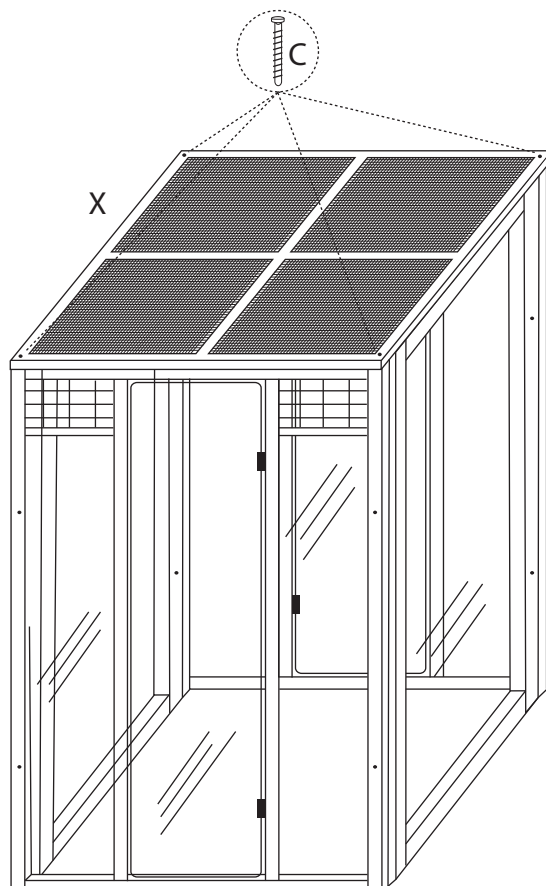
Step 5: Attach doors.
Use panels R x 2, S x 2. Use parts E x 4, F x 32, H x 8.



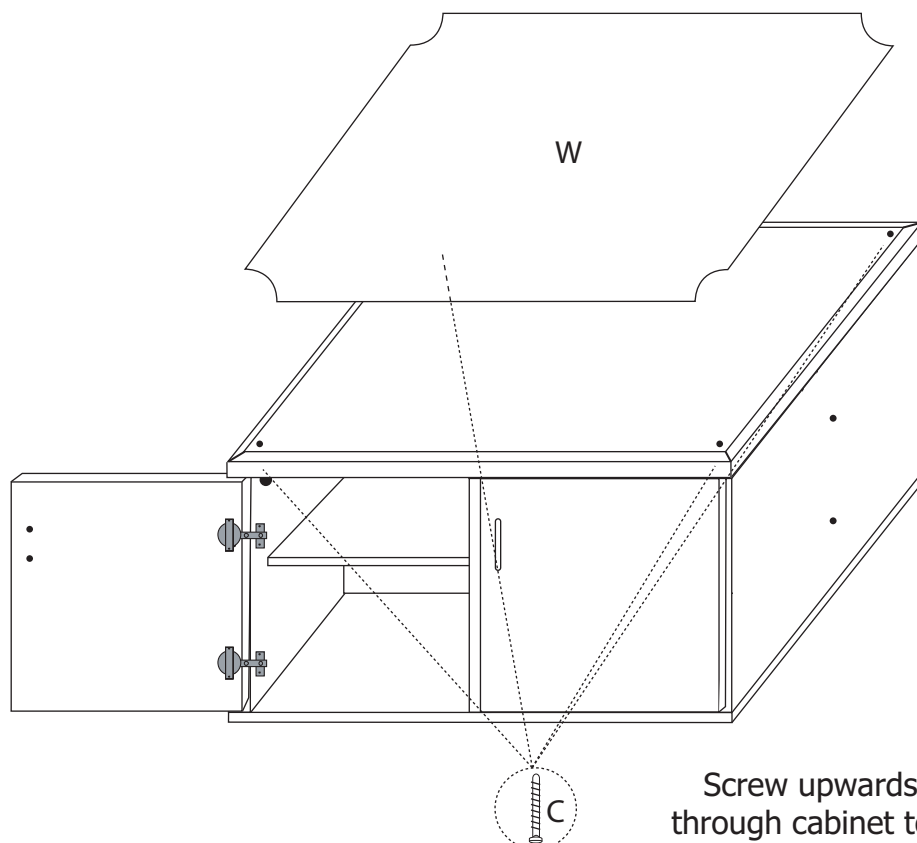
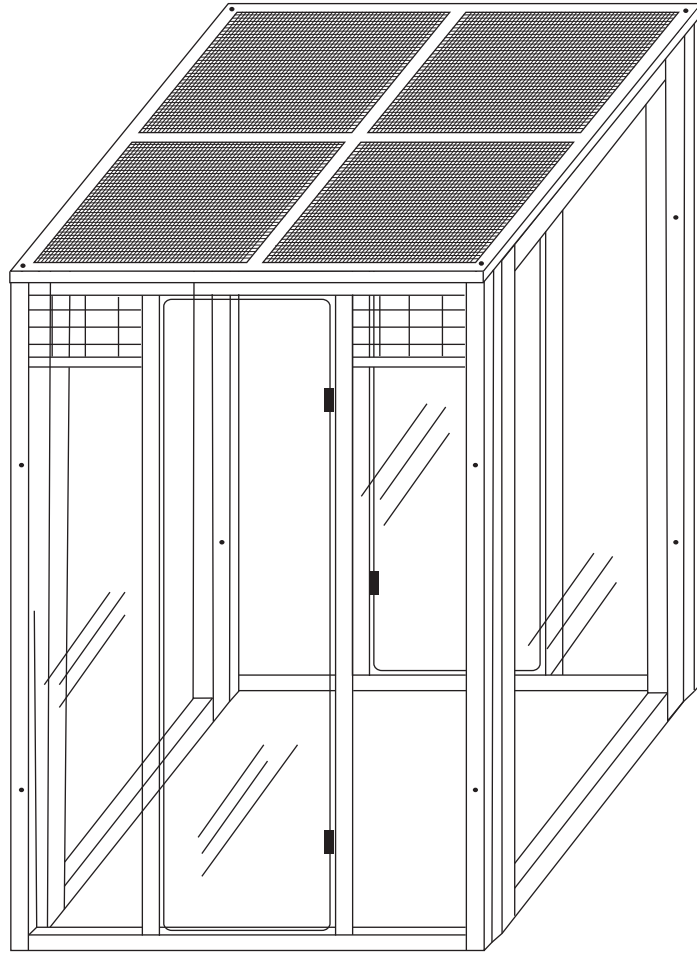
Step 4: Assemble enclosure walls.
Use panels Y x 2, Z x 2. Use parts C x 8.



Step 5: Attach top of enclosure.
Use panels X, Y x 2, Z x 2. Use parts C x 4.

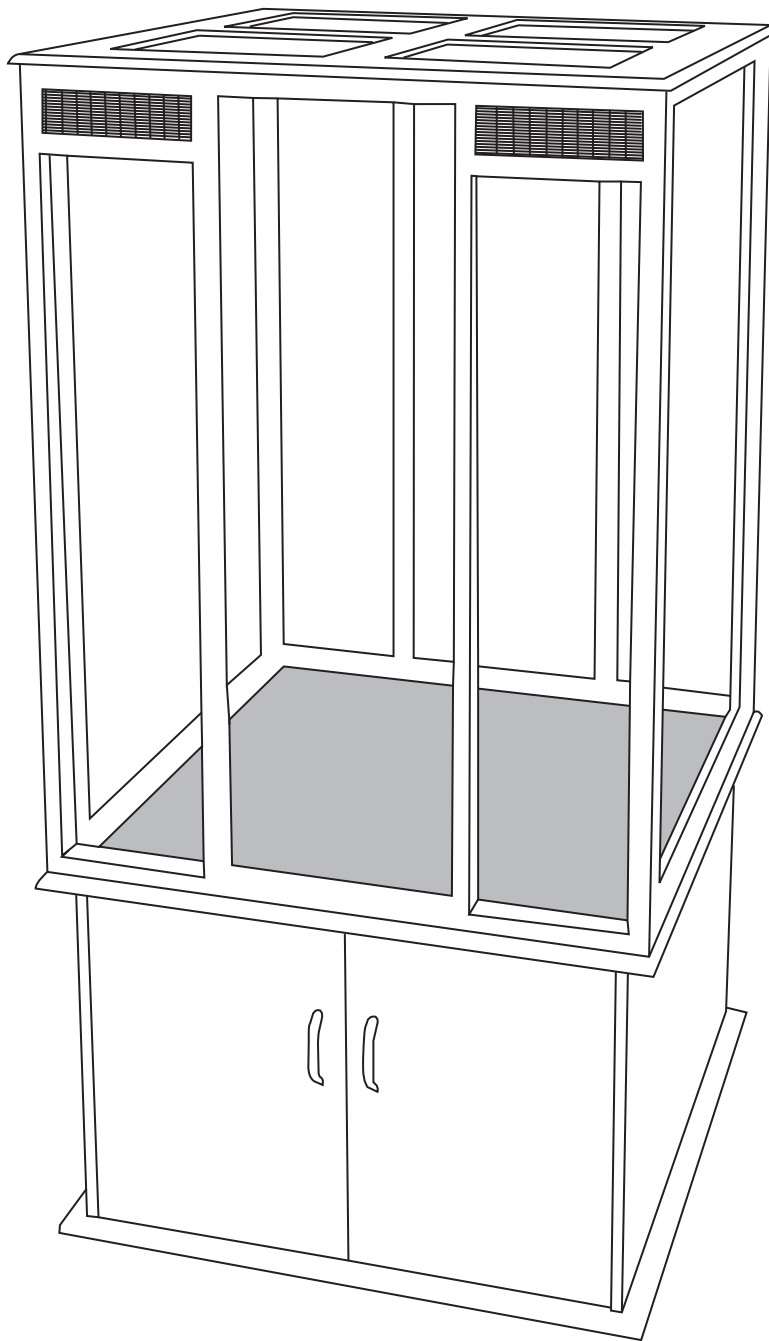


Step 7: Attach enclosure to cabinet.
Use panel W as well as pre-assembled cabinet and enclosure. Use parts C x 8.



Screw upwards
through cabinet top
into bottom of enclosure.

Your enclosure is now complete.



Care and Maintenance of your Reptile One Serpens 200

We recommend the use of Reptile One Disinfectant Cleanser to clean all surfaces within the enclosure including glass.

Avoid allowing water to sit directly on the timber surfaces in or on this enclosure.

Manufactured in China.
Designed in Australia by Reptile One
Distributed in Australia by:
Kong's (Aust.) Pty. Limited
48 Williamson Rd. Ingleburn.
2565 NSW Australia.

Distributed in New Zealand by:
Kong's (NZ) Limited
52 Glenlyon Avenue.
Greerton. Tauranga New Zealand.

Distributed in Hong Kong by:
Kong's Aquarium Supplies Co., Ltd
No 31, 3/F Thriving Industrial Centre
26-38 Sha Tsui Road, Tsuen Wan
Hong Kong

Distributed in the UK by:
Kong's (UK) Ltd.
C/O Aqua Pacific UK Ltd.
PO Box 268
Romsey Hampshire
SO51 0WW
United Kingdom

Reptile One

® Reptile One and Kong's are registered trademarks.

K'S
KONG'S

